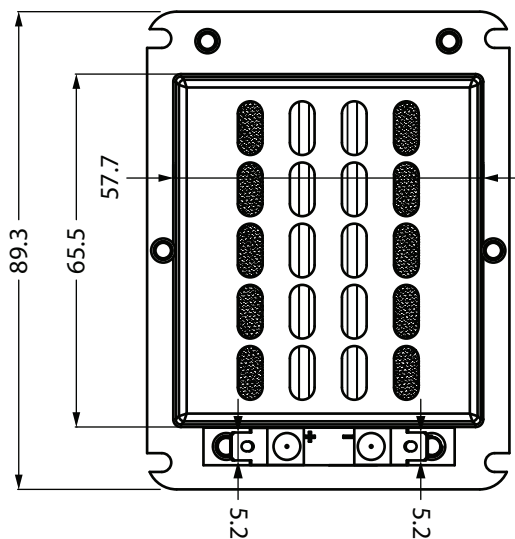
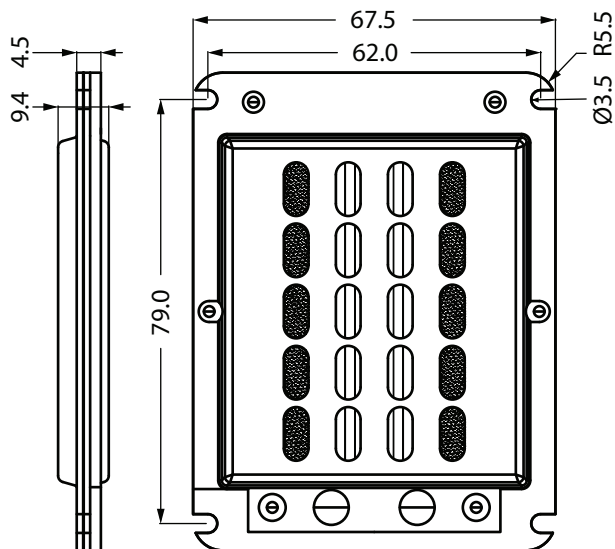




PT2522-4 3-1/2" PLANAR TWEETER 4 OHM

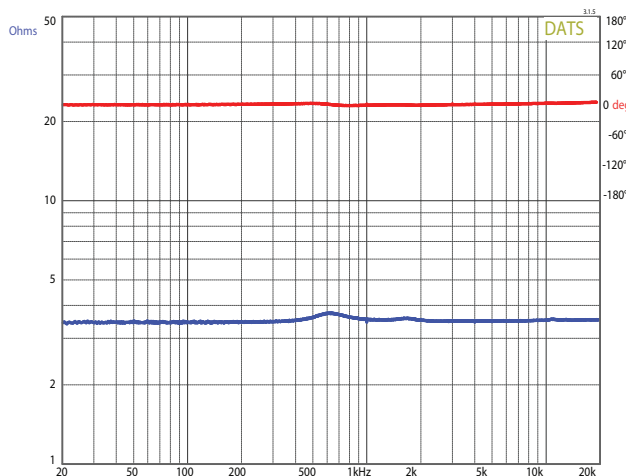
MECHANICAL DRAWING



FEATURES

- Extremely low mass diaphragm provides excellent transient response and accuracy
- Large diaphragm produces high efficiency and wide bandwidth
- Remarkably flat response even at 30 degrees off axis
- Open back delivers true dipole radiation for use in open baffle designs
- Linear impedance simplifies crossover design
- Shallow mounting depth for use in low profile designs

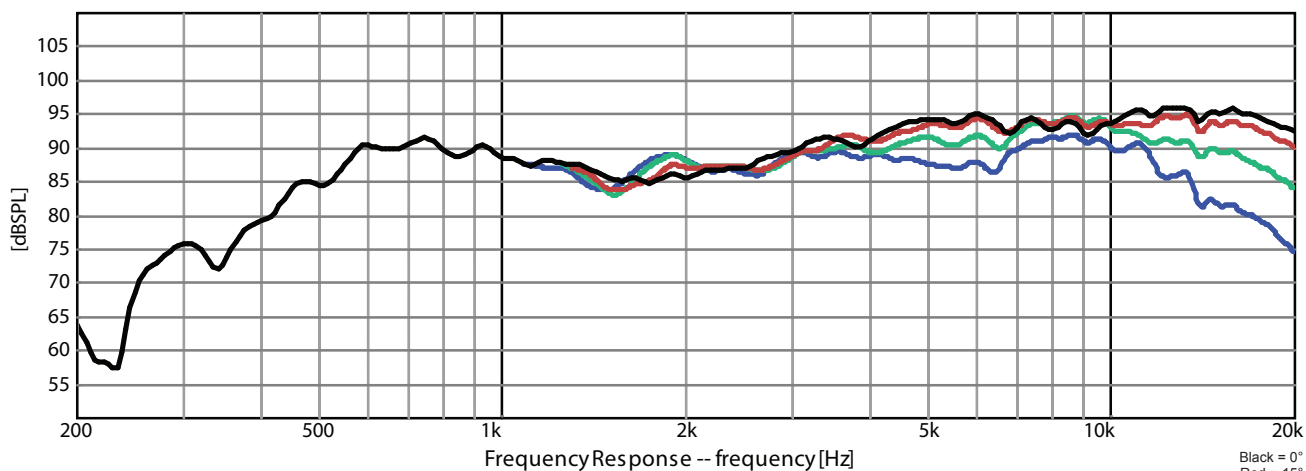
IMPEDANCE/PHASE



PARAMETERS

Impedance	4 ohms
Re	3.4 ohms
Le	0.01 mH @ 10 kHz
Fs	N/A
Qms	4.60
Qes	N/A
Qts	4.46
Mms	N/A
Cms	N/A
Sd	20.2 cm ²
Vd	N/A
BL	N/A
Vas	N/A
Xmax	N/A
VC Diameter	N/A
SPL	93 dB @ 2.83V/1m
RMS Power Handling (EIA RS-426B)	20 watts
Usable Frequency Range (Hz)	800 - 20,000 Hz

FREQUENCY RESPONSE



OmniMic

Black = 0°
Red = 15°
Green = 30°
Blue = 45°