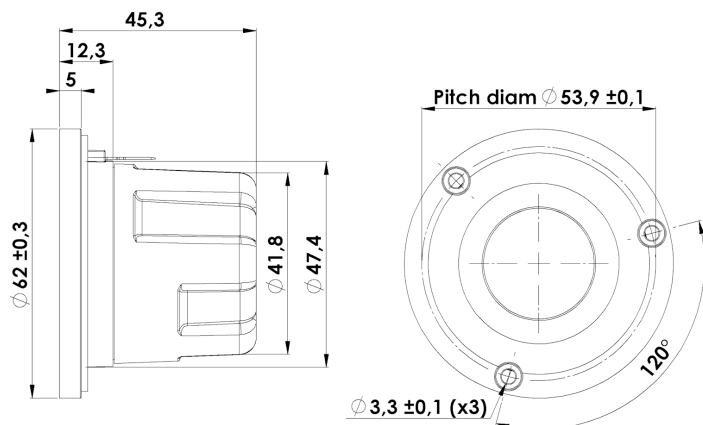


26 mm Textreme Dome Tweeter

D3004/606200



T-S Parameters:

Resonance frequency [fs]	430 Hz
Mechanical Q factor [Qms]	2.2
Electrical Q factor [Qes]	0.46
Total Q factor [Qts]	0.38
Force factor [Bl]	2.4 Tm
Mechanical resistance [Rms]	0.4 kg/s
Moving mass [Mms]	0.33 g
Compliance [Cms]	0.41 mm/N
Effective diaph. diameter [D]	30 mm
Effective piston area [Sd]	7 cm ²
Equivalent volume [Vas]	0.03 l
Sensitivity (2,83V/1m)	91 dB

Mechanical Data:

Voice coil diameter	26 mm
Voice coil height	2 mm
Voice coil layers	2
Gap height	2.5 mm
Linear excursion	± 0.25 mm
Max mech. excursion	± 1.6 mm
Unit weight	0.13 kg
Cabinet Displacement Volume	0.06 l

Electrical Data:

Nominal impedance [Zn]	4 Ω
Minimum impedance [Zmin]	3.7 Ω
Maximum impedance [Zo]	18 Ω
DC resistance [Re]	3 Ω
Voice coil inductance [Le]	0.02 mH

Power Handling:

100h RMS noise test (IEC 18.4)	50 W
Long-term max power (IEC 18.2)	130 W
X-over: 2. order HP Butterworth, 2,5kHz	

Key Features:

- 1" TPCD Tweeter
- Bespoke tailored Thin-ply Carbon Diaphragm
- Large roll surround f. wide dispersion
- Patented Symmetrical Drive (SD-2) motor
- Black Anodized mached Faceplate
- Gold Plated Terminals

Recommendations (please see Tech Note):

- Operating frequency range: 2500 - 40000 Hz
- Cabinet volume - closed box: N.a.
- Cabinet volume - vented box: N.a.

